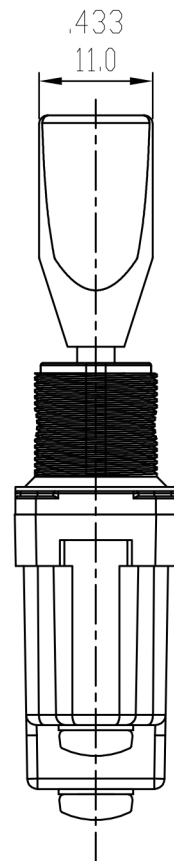
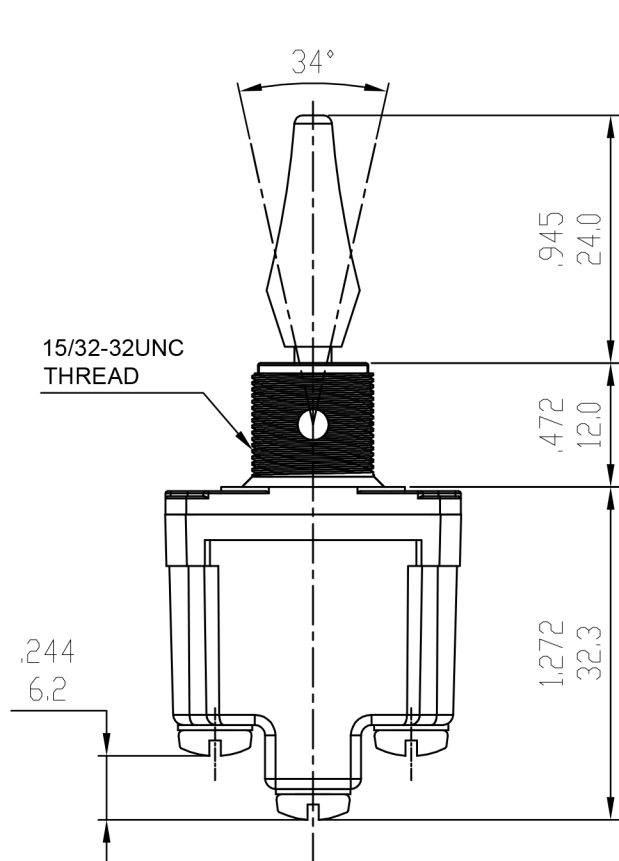
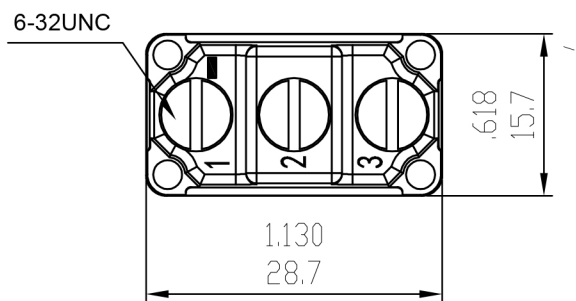
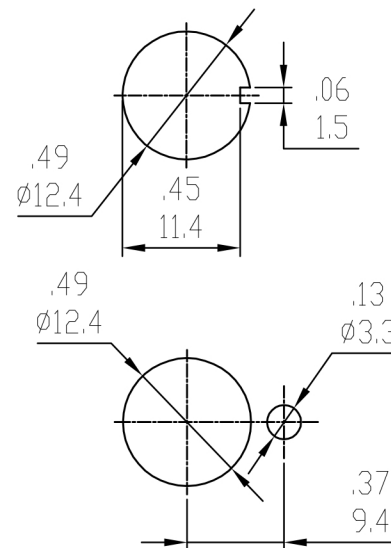


Notes:

- 1: 开关装配紧密, 动作明确;
- 2: 符合RoHS要求.

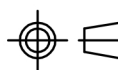


PANEL CUT-OUT



Model No.	Switching Position		
C6013	ON	None	ON
C6013A	ON	None	MOM
C6014	ON	OFF	ON
C6014A	MOM	OFF	MOM
C6014B	ON	OFF	MOM

Tolerance				Approved	Quantity	1	东莞市创恩电子有限公司	PART NAME:		
L<10	±0.2			Checked	Scale	1:1		C6014A-U1ES-15-H		
10<L<30	±0.3	1	A0	New	魏建	19.2.15	Draw	Unit	mm	DRAWING NO.
L>30	±0.5	NO.	Edition	Modified Contents	Name	Data	Design	Edition	A0	



Material:  
Finished: