

KPB22 Series

22mm Illuminated Pushbutton Switches



SPECIFICATIONS

RATING : Ith 5A/250VAC. resistive load 3A/250VAC.
CONTACT RESISTANCE : 50mΩ MAX.@1A 12VDC(initial value).
INSULATION RESISTANCE : 1,000MΩ MIN at 500VDC.
DIELECTRIC STRENGTH : 2,000V RMS@sea level.
OPERATION TEMPERATURE : -20°C to 55°C.
MECHANICAL LIFE : Momentary 1,000,000 cycles
 Lock 500,000 cycles
ELECTRICAL LIFE : 50,000 make-and-break cycles at full load.
TORQUE : 1~3Nm.
PANEL THICKNESS : 6mm (Ø22.00mm)
OPERATION PRESSURE : 1Pole 2.5±1N / 2Poles 3.5±1N
TRAVEL : ABOUT 3.2mm.
INGRESS PROTECTION : IP65

MATERIALS

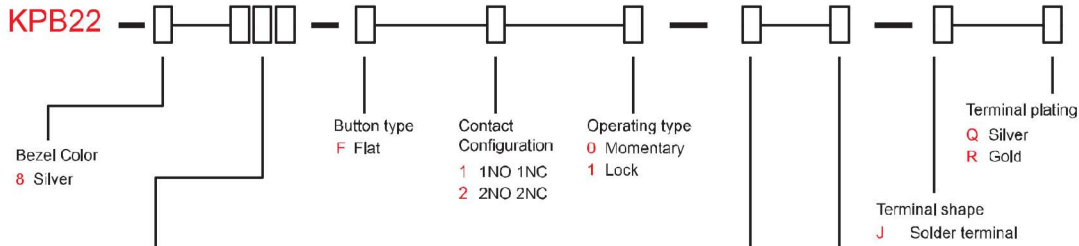
BEZEL : PC
BASE : PBT(UL 94-V0) & PC(UL 94-V2)
ACTUATOR : PC & POM.
INNER ASSEMBLY : POM. / PA66.
SPRING : Stainless steel.
SEALING : Silicone.
O-Ring : Silicone.
TERMINAL / CONTACT : Brass,Silver plated.
HEX NUT : PC.

KPB22
 Pushbutton Switches

HOW TO ORDER



MODEL NO. BEZEL COLOR ACTUATOR TYPE BUTTON TYPE CONTACT CONFIGURATION OPERATING TYPE LED COLOR LED VOLTAGE TERMINAL SHAPE TERMINAL PLATING



- 000 Transparent Actuator,below all LED color available
- 100 White Actuator,below all LED color available
- 200 Black Actuator,Non-LED
- 300 Transparent Red Actuator,LED in Red only.
- 400 Transparent Orange Actuator,LED in Yellow only.
- 600 Transparent Green Actuator,LED in Green only.
- 700 Transparent Blue Actuator,LED in Blue only.
- 800 Silver Actuator,Non-LED
- 8P1 Silver Actuator+White power,below all LED color available
- 8P2 Silver Actuator+Black power,Non-LED
- 8P3 Silver Actuator+Red power,LED in red only
- 8P6 Silver Actuator+Green power,LED in Green only
- 8P7 Silver Actuator+Blue power,LED in Blue only

ITEM NO	COLOR
0	Without LED
1	White
3	Red
5	Yellow
6	Green
7	Blue

ITEM NO	VOLTAGE
0	Without LED or resistor
3	3V
6	6V
12	12V
24	24V
36	36V
110	110V
220	220V

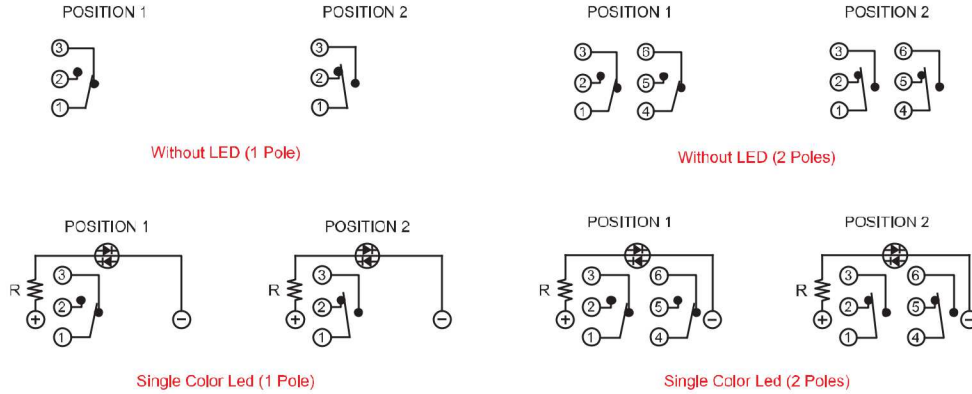
EXAMPLE:

KPB22-KPB22-88P1-F10-JQ
 LED color — LED voltage

KPB22 Series

22mm Illuminated Pushbutton Switches

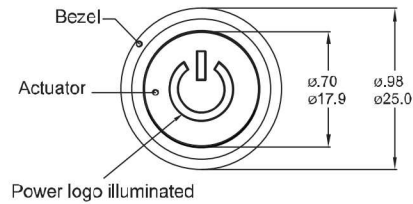
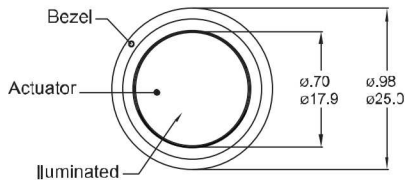
CIRCUIT



ACTUATOR TYPE

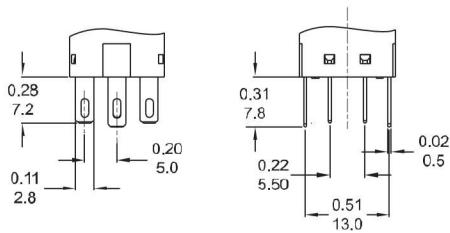
X00 Transparent Actuator

8PX Power



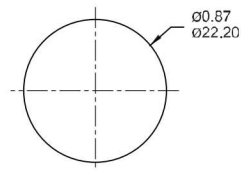
TERMINAL TYPE

J Solder terminal (std)

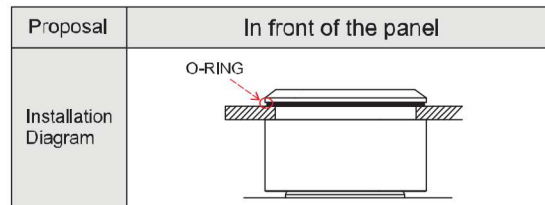


PANEL MOUNTING

Max. Panel thickness: 6.0mm[.24]



O-RING INSTALLATION



KPB22
Pushbutton Switches

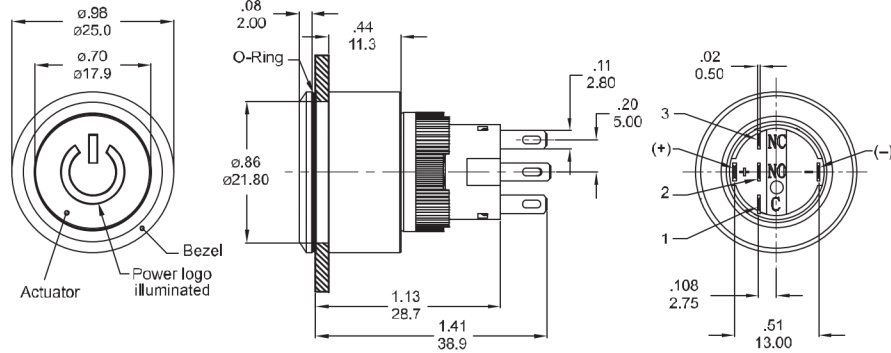
KPB22 Series

22mm Illuminated Pushbutton Switches



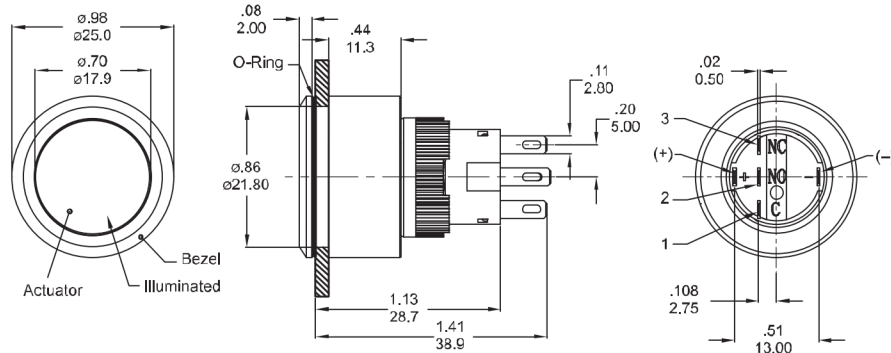
KPB22
Pushbutton Switches

8P1



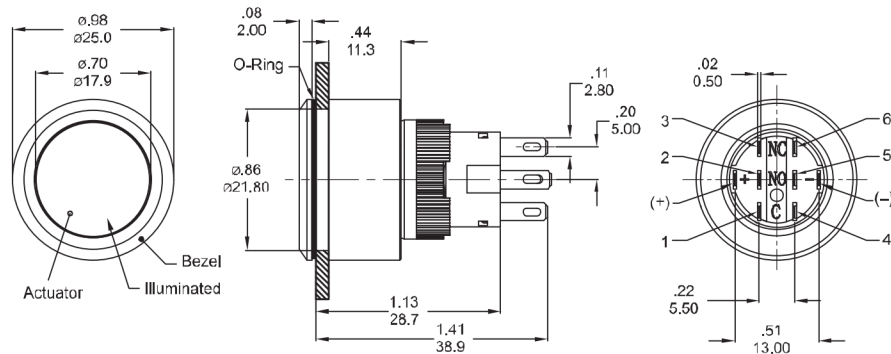
Part No. Shown : KPB22-88P1-F10-□□-JQ

000



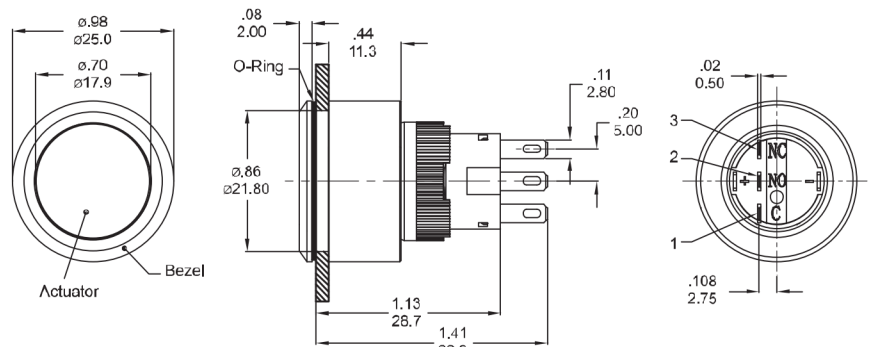
Part No. Shown : KPB22-8000-F10-□□-JQ

400



Part No. Shown : KPB22-8400-F20-5□-JQ

800 Non-LED



Part No. Shown : KPB22-8800-F10-JQ